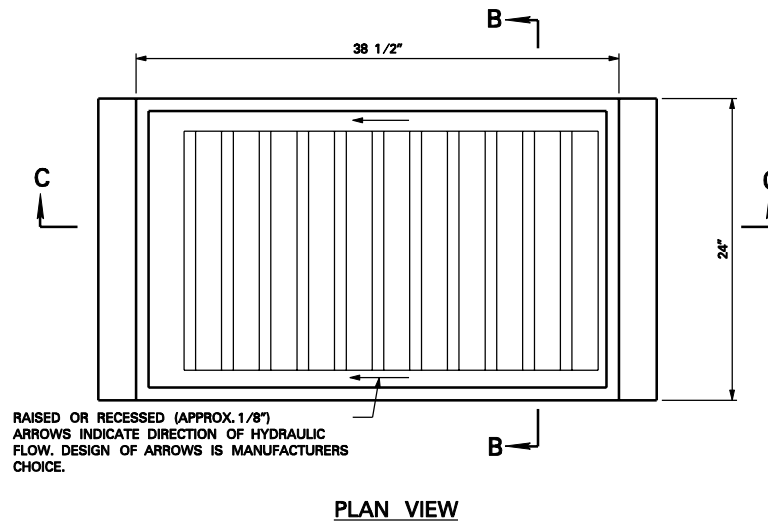
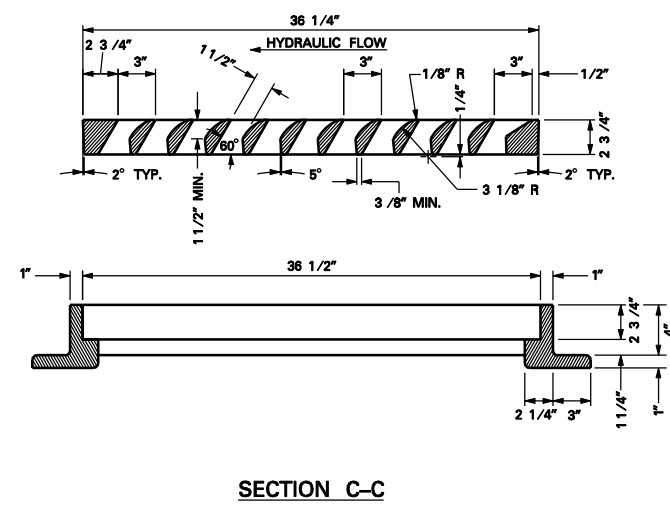
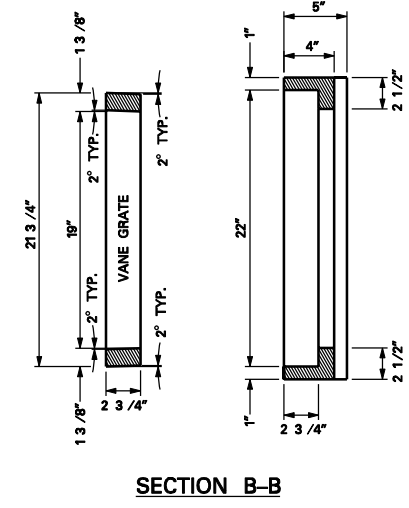


REVISIONS			
No.	DATE	BY	BRIEF DESCRIPTION

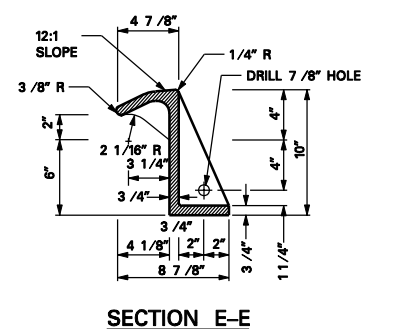
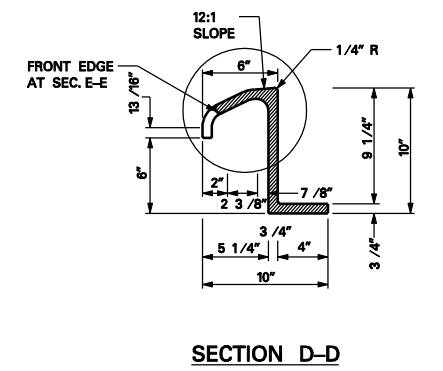
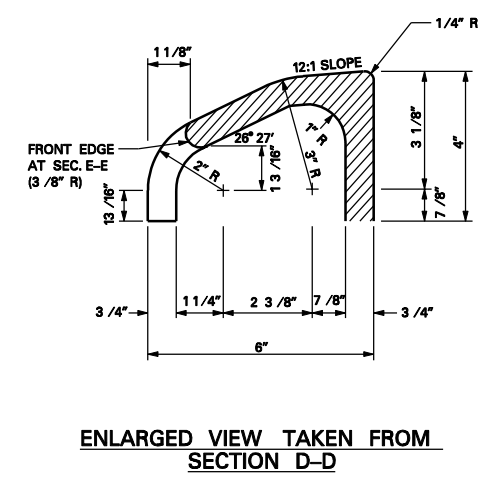
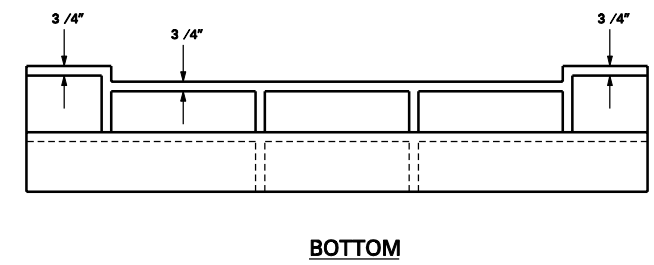
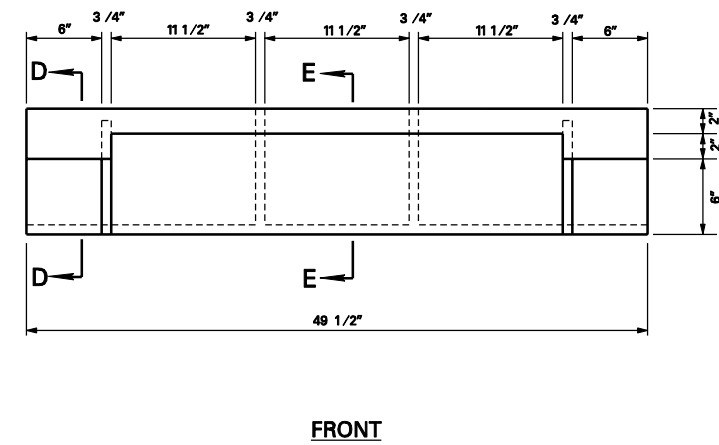
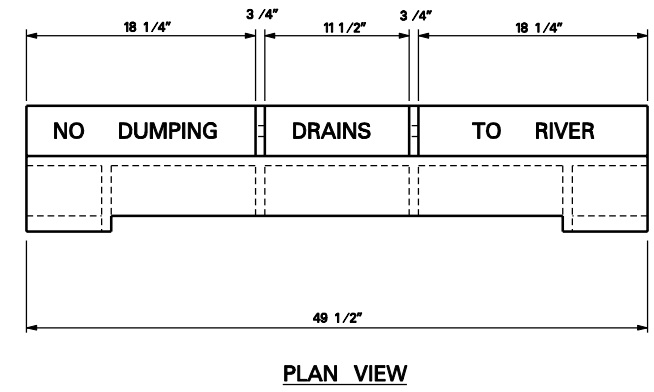
FRAME AND GRATE DETAILS



RAISED OR RECESSED (APPROX. 1/8")
ARROWS INDICATE DIRECTION OF HYDRAULIC
FLOW. DESIGN OF ARROWS IS MANUFACTURERS
CHOICE.



CURB INLET DETAILS



- NOTES:**
1. CURB INLET SHALL ONLY BE USED WITH 6" EXTRUDED CURB.
 2. RAISED LETTERING FOR CASTINGS SHALL HAVE A MINIMUM HEIGHT OF 1/2".
 3. ALL CASTINGS SHALL CONFORM TO ASTM A48 CLASS 30.
 4. ENVIRONMENTAL STATEMENT ON CURB INLET SHALL BE AS NOTED OR EQUIVALENT.
 5. CASTINGS SHALL BE TREATED WITH TWO COATS OF BITUMINOUS PAINT.
 6. FOR CLEARNESS, ALL CORNERS ARE SHOWN ON THIS DRAWING BY STRAIGHT LINES WITH THE EXCEPTION OF THE 1" RADIUS AT THE TOP OF FACE OF CURB. ALL INSIDE CORNERS SHOULD BE MADE WITH 1/2" X 1/2" FILLETS OR 3/4" RADIUS FILLETS FOR EASE IN MOULDING.

CITY OF KNOXVILLE DEPARTMENT OF ENGINEERING		DRAWN: RAW DATE: 19-NOV-01 CHECKED: NLT APPROVED: DTH
STANDARD DETAIL FOR TYPE 'B' CAST IRON FRAME, GRATE, AND 6" MOUNTABLE INLET FOR COK-9 AND FOR TDOT CATCH BASINS Nos. 10, 12, 14, 16 AND 17		COK-11